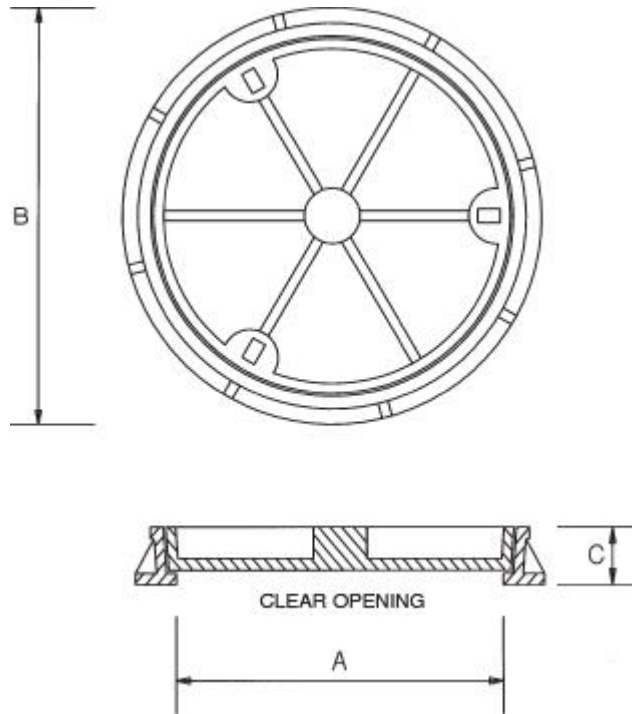


Mascot Engineering

Cast Iron

Round Infill Cover

Revision A



Product Code	A (mm)	Load Rating	B (mm)	C (mm)
24:CC:L	600mm	B	700	50
24:CC:C	600mm	D	750	90
24:CC:EH	600mm	E-F-G	850	120